

NX12-Z-XL

Needle roller/axial ball bearing

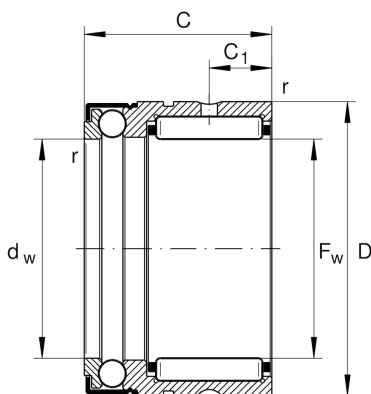
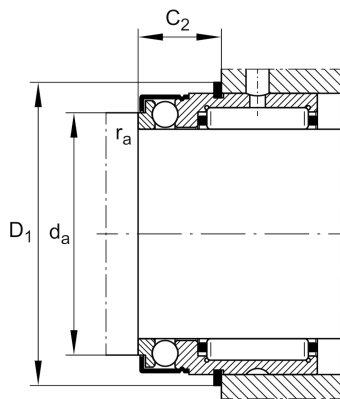
Schaeffler ID:
0507791680000

Needle roller/axial ball bearings NX..-Z, single direction axial component, for grease lubrication

X-life

Technical information

2)



Main Dimensions & Performance Data

| | | |
|----------|-------------|-----------------------------------|
| F_w | 12 mm | Bore diameter |
| D | 21 mm | Outside diameter |
| C | 18 mm | Height |
| C_r | 5,400 N | Basic dynamic load rating, radial |
| C_{0r} | 4,300 N | Basic static load rating, radial |
| C_a | 4,850 N | Basic dynamic load rating, axial |
| C_{0a} | 8,200 N | Basic static load rating, axial |
| C_{ur} | 840 N | Fatigue load limit, radial |
| C_{ua} | 375 N | Fatigue load limit, axial |
| n_G | 9,500 1/min | Limiting speed |
| | 23.69 g | Weight |

Dimensions

| | | |
|-----------|------------------|-------------------------------|
| | IR8X12X10-IS1-XL | Suitable inner rings IR |
| | WR21, SW21 | Snap ring |
| C_1 | 4.7 mm | Distance to lubrication hole |
| C_2 | 4.7 mm | Distance to lubrication hole |
| d_w | 12 mm | Bore diameter of shaft washer |
| r_{min} | 0.3 mm | Minimum chamfer dimension |

Mounting dimensions

| | | |
|-------------|---------|-----------------------------------|
| d_a | 16.6 mm | Mounting dimension shaft shoulder |
| $r_{a max}$ | 0.3 mm | Maximum recess radius |
| D_1 | 23.7 mm | Connection diameter snap ring |
| C_2 | 10 mm | Connection width with snap ring |

Temperature range

| | | |
|-----------|--------|----------------------------|
| T_{min} | -30 °C | Operating temperature min. |
| T_{max} | 120 °C | Operating temperature max. |